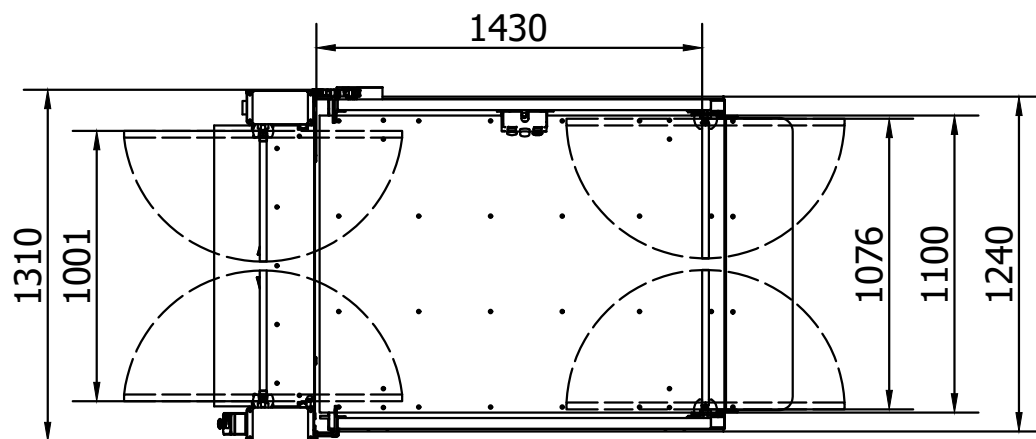
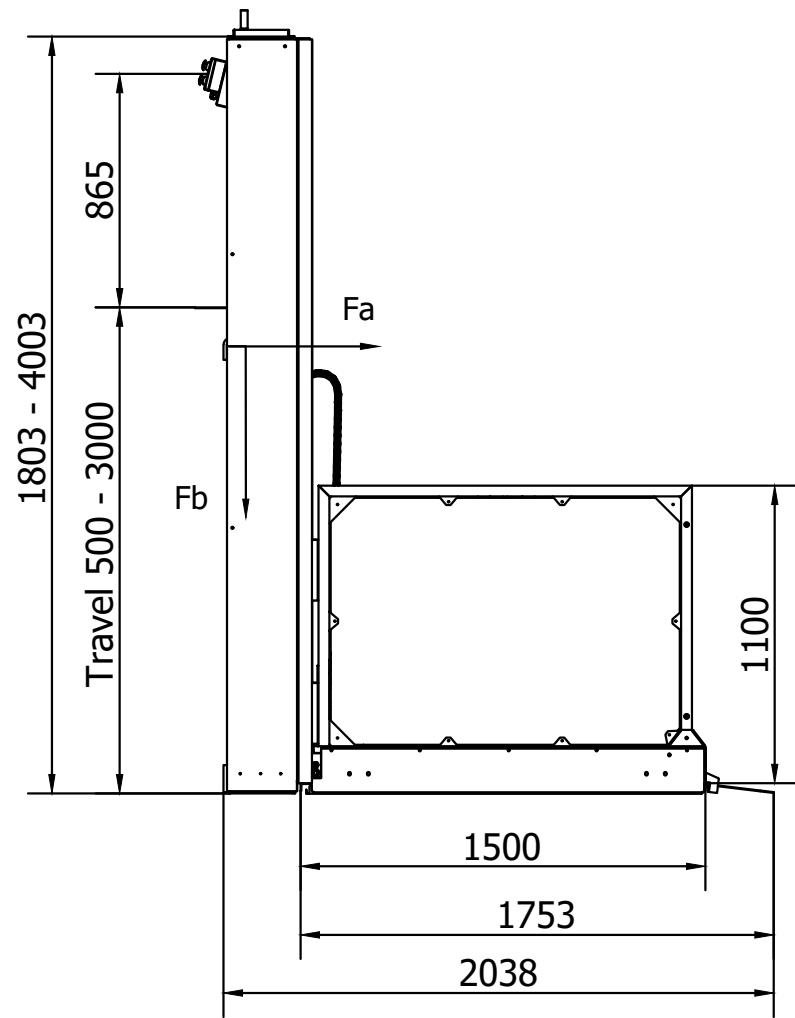


( 1 : 28 )



**CLEARANCES**

**"A"**  
Horizontal distance between the platform and the wall 145mm if smooth, 355mm if irregular

**Anchors**  
Horizontal & Vertical 3 pcs minimum, see installation information for further details of substrate requirements and type (Only use the fixation angles on the upper level)

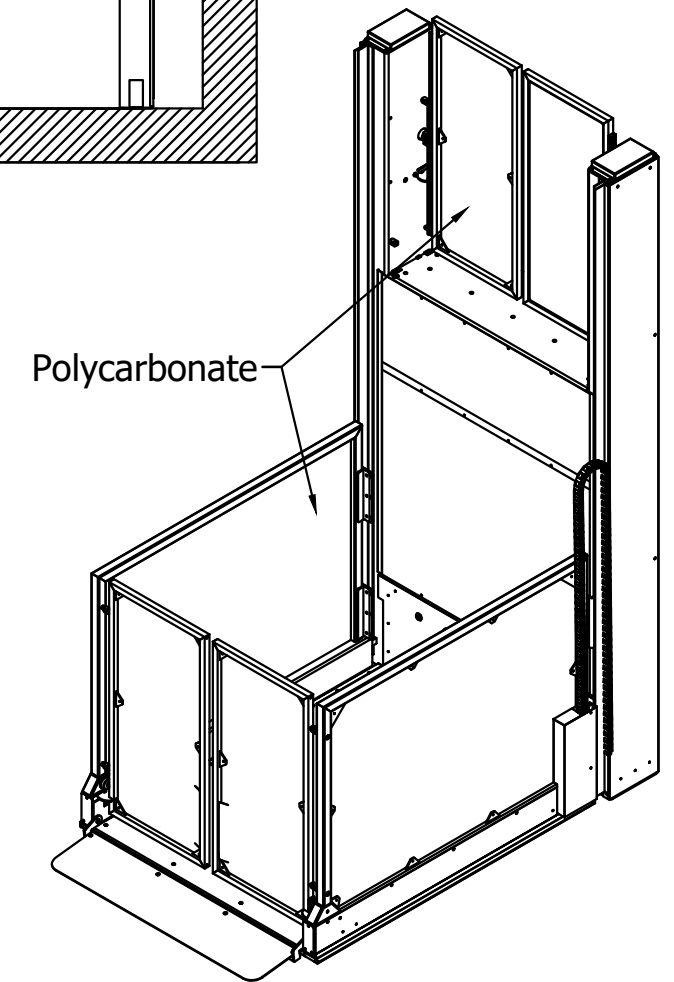
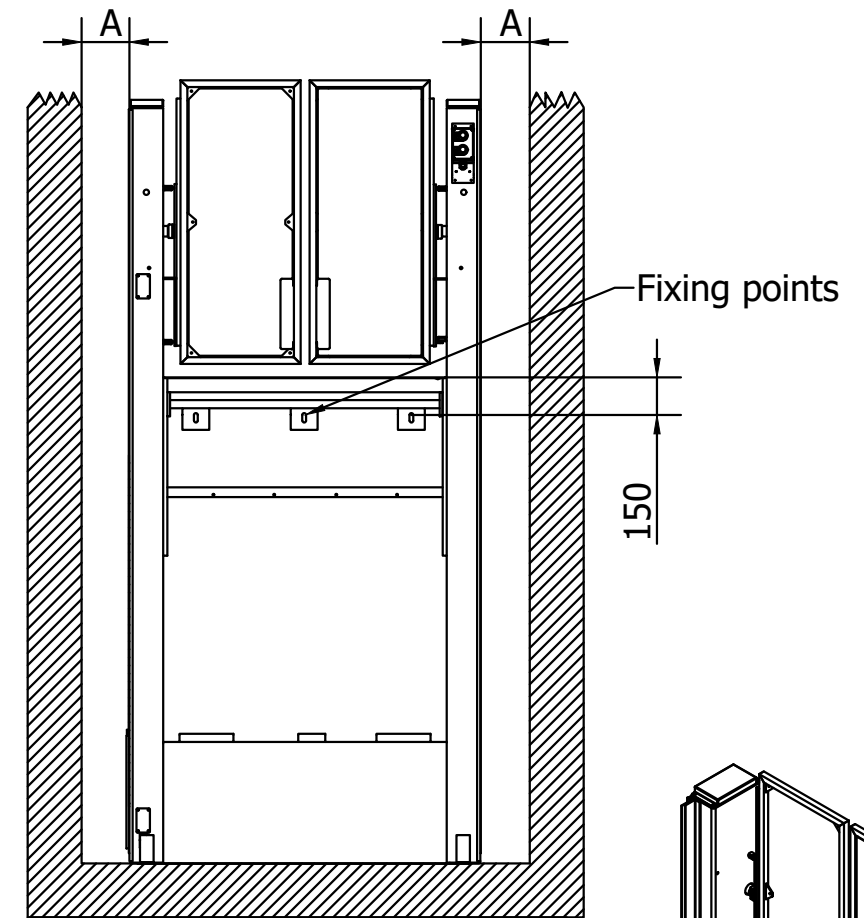
**Platform floor finish**  
Standard - Aluminium chequer plate

**Electrical supply (Main switch)**  
1ph L, N, PE, 3 x 2,5mm<sup>2</sup> 16A

**Technical Data**  
Rated capacity: 400kg / 2 person  
Speed: 0,08m / s  
Drive: 3,0kW Electrical motor / Belt drive  
Electrical Connection: Single phase, 3 x 2,5mm<sup>2</sup>  
Control voltage: 24 Volts  
Soft start / Stop by frequency inverter  
Drive system: Screw / Nut

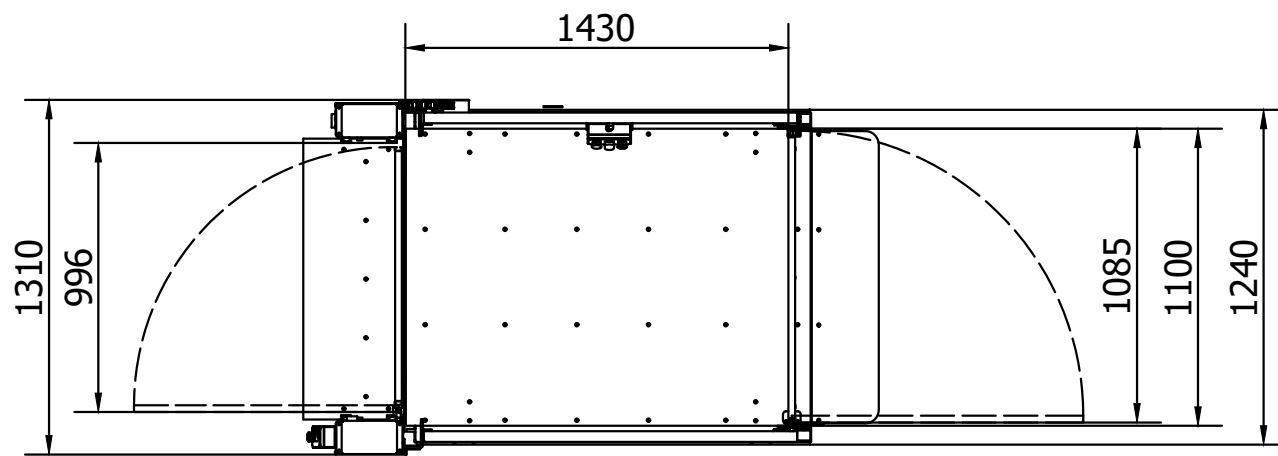
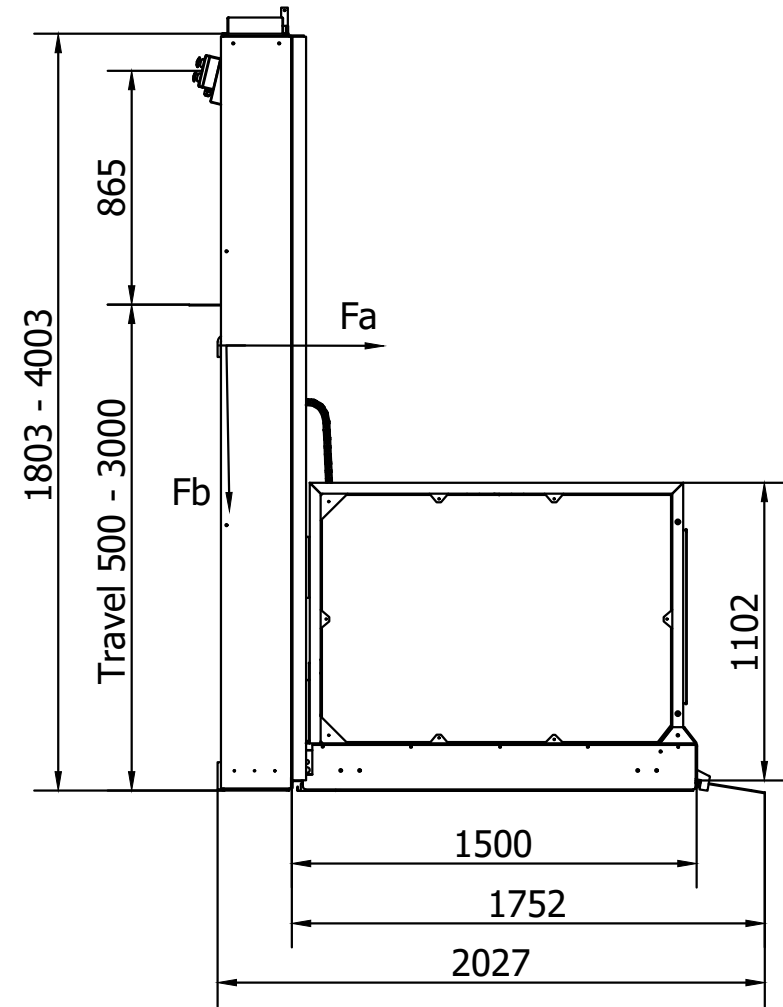
HORIZONTAL FORCES	
Fixing height mm	Total Anchor Force Fa, kN
400	25,8
600	17,2
800	12,9
1000	10,3
1200	8,6
1400	7,4
1600	6,5
1800	5,7
2000	5,2
2200	4,7
2400	4,3
2600	4
2800	3,7

Fb= Vertical force of 10kN spread over area of 1300 x 250mm



Designed by Eva	Checked by	Approved by	Date	Date 2021-09-13	LH= 800-3000
MPR LIFTS AB			Strategos Superior STD		
General Drawing			Edition 1	Sheet 1 / 1	

( 1 : 28 )



**CLEARANCES**

**"A"**  
Horizontal distance between the platform and the wall 145mm if smooth, 355mm if irregular

**Anchors**  
Horizontal & Vertical 3 pcs minimum, see installation information for further details of substrate requirements and type (Only use the fixation angles on the upper level)

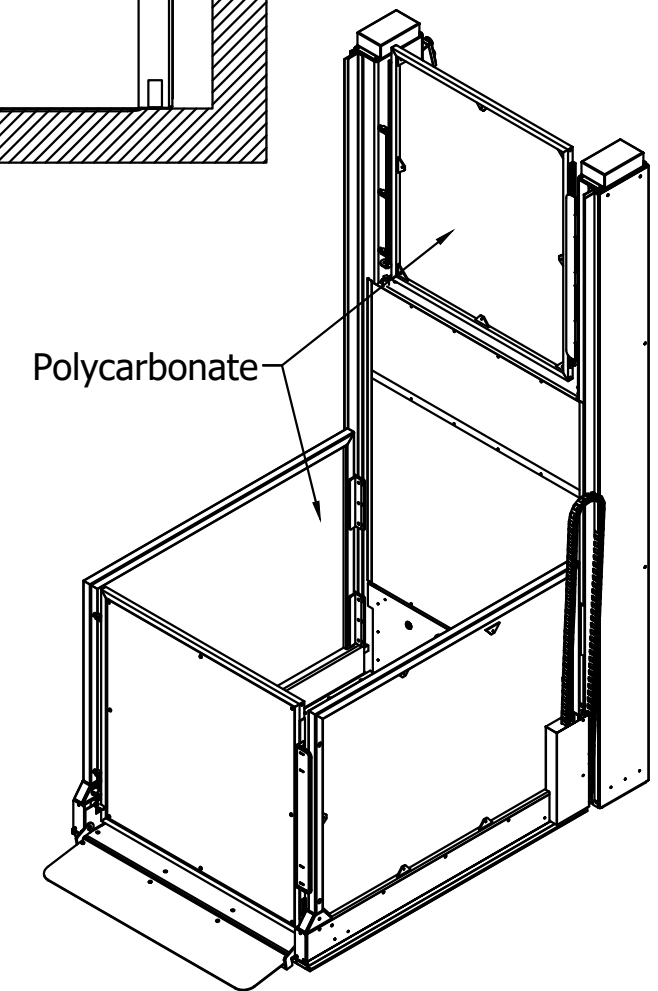
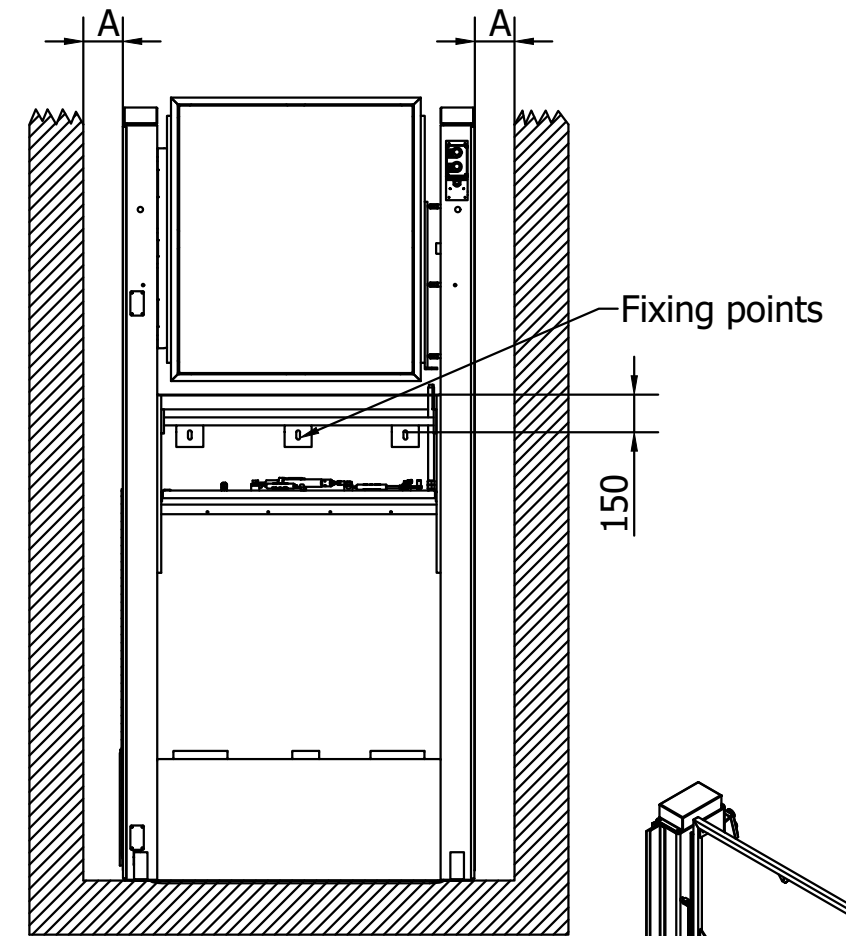
**Platform floor finish**  
Standard - Aluminium chequer plate

**Electrical supply (Main switch)**  
1ph L, N, PE, 3 x 2,5mm<sup>2</sup> 16A

**Technical Data**  
Rated capacity: 400kg / 2 person  
Speed: 0,08m / s  
Drive: 3,0kW Electrical motor / Belt drive  
Electrical Connection: Single phase, 3 x 2,5mm<sup>2</sup>  
Control voltage: 24 Volts  
Soft start / Stop by frequency inverter  
Drive system: Screw / Nut

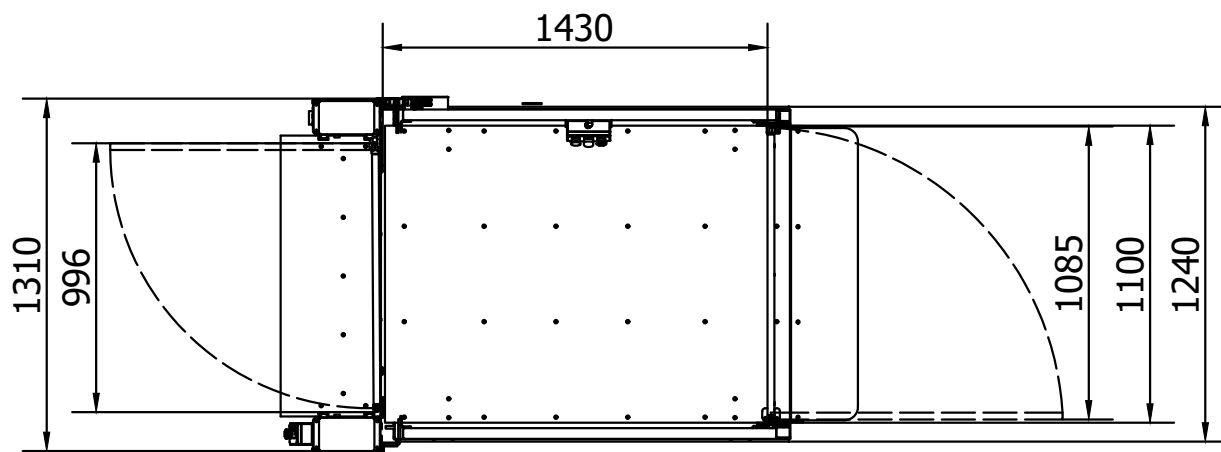
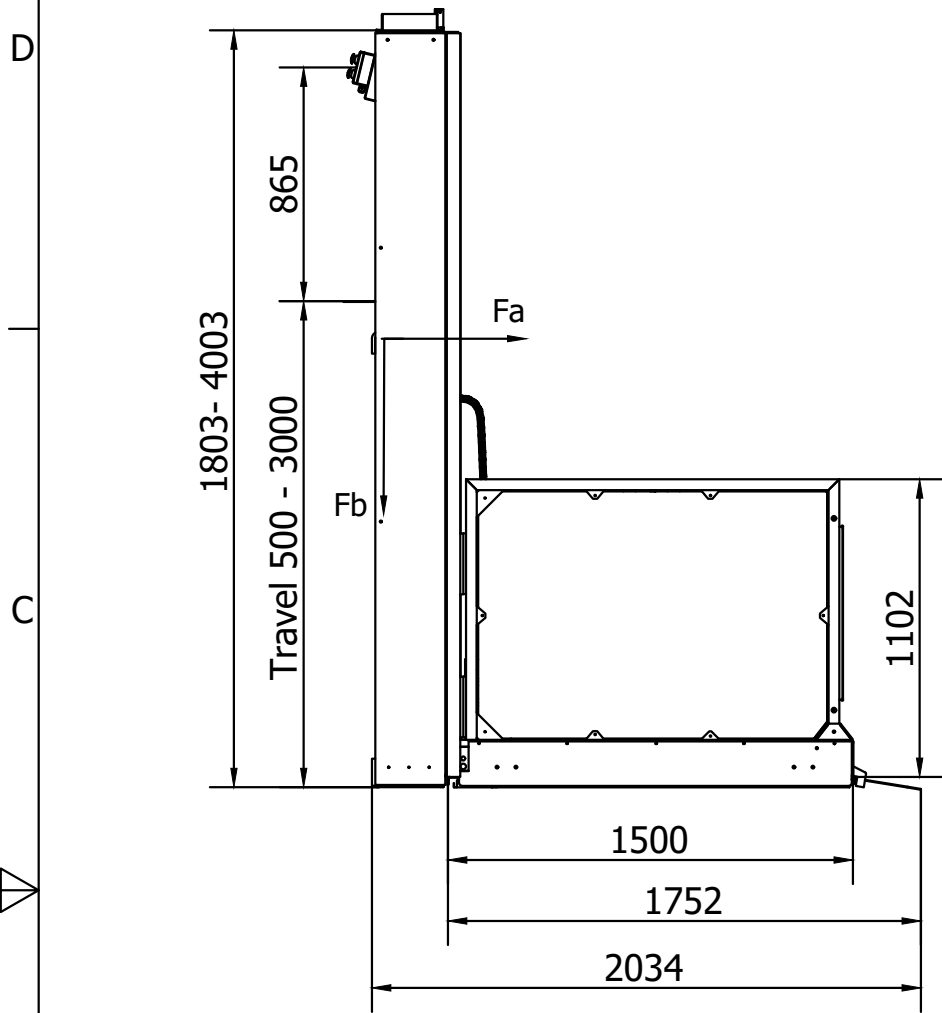
HORIZONTAL FORCES	
Fixing height mm	Total Anchor Force Fa, kN
400	25,8
600	17,2
800	12,9
1000	10,3
1200	8,6
1400	7,4
1600	6,5
1800	5,7
2000	5,2
2200	4,7
2400	4,3
2600	4
2800	3,7

Fb= Vertical force of 10kN spread over area of 1300 x 250mm



Designed by Eva	Checked by	Approved by	Date	Date 2021-09-14	LH= 800-3000
MPR LIFTS AB			Strategos Superior Automatic Door LL		
			General Drawing	Edition 1	Sheet 1 / 1

( 1 : 28 )



**CLEARANCES**

**"A"**  
Horizontal distance between the platform and the wall 145mm if smooth, 355mm if irregular

**Anchors**  
Horizontal & Vertical 3 pcs minimum, see installation information for further details of substrate requirements and type (Only use the fixation angles on the upper level)

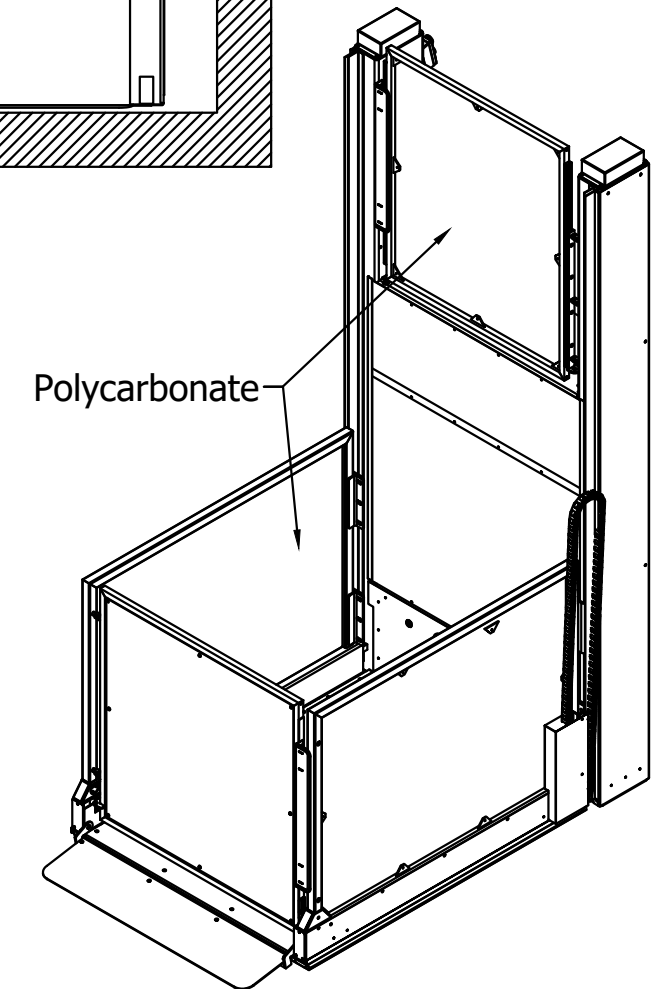
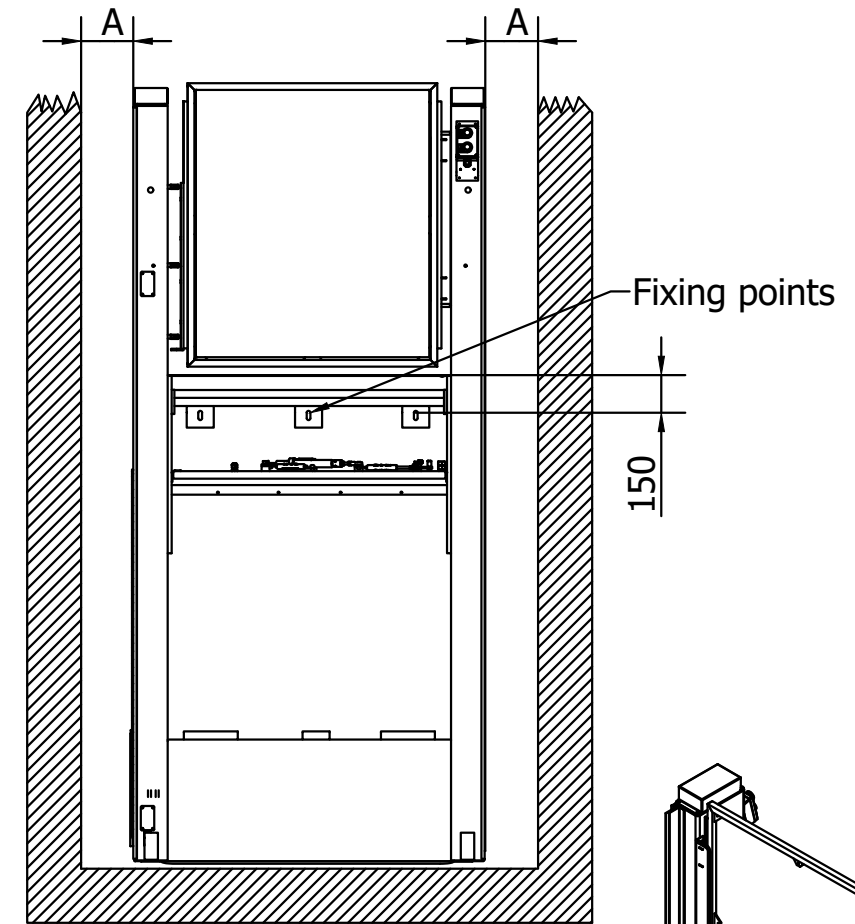
**Platform floor finish**  
Standard - Aluminium chequer plate

**Electrical supply (Main switch)**  
1ph L, N, PE, 3 x 2,5mm<sup>2</sup> 16A

**Technical Data**  
Rated capacity: 400kg / 2 person  
Speed: 0,08m / s  
Drive: 3,0kW Electrical motor / Belt drive  
Electrical Connection: Single phase, 3 x 2,5mm<sup>2</sup>  
Control voltage: 24 Volts  
Soft start / Stop by frequency inverter  
Drive system: Screw / Nut

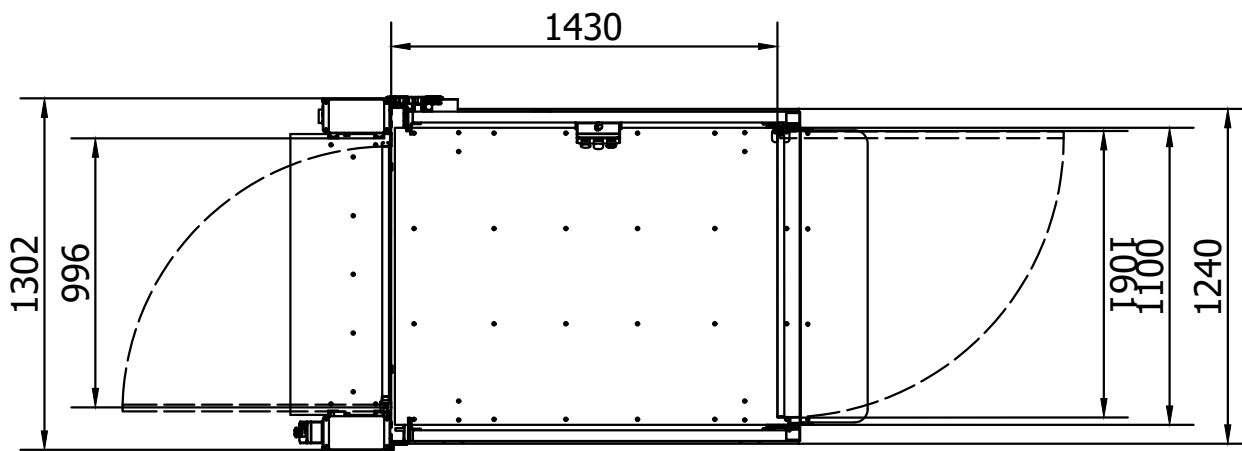
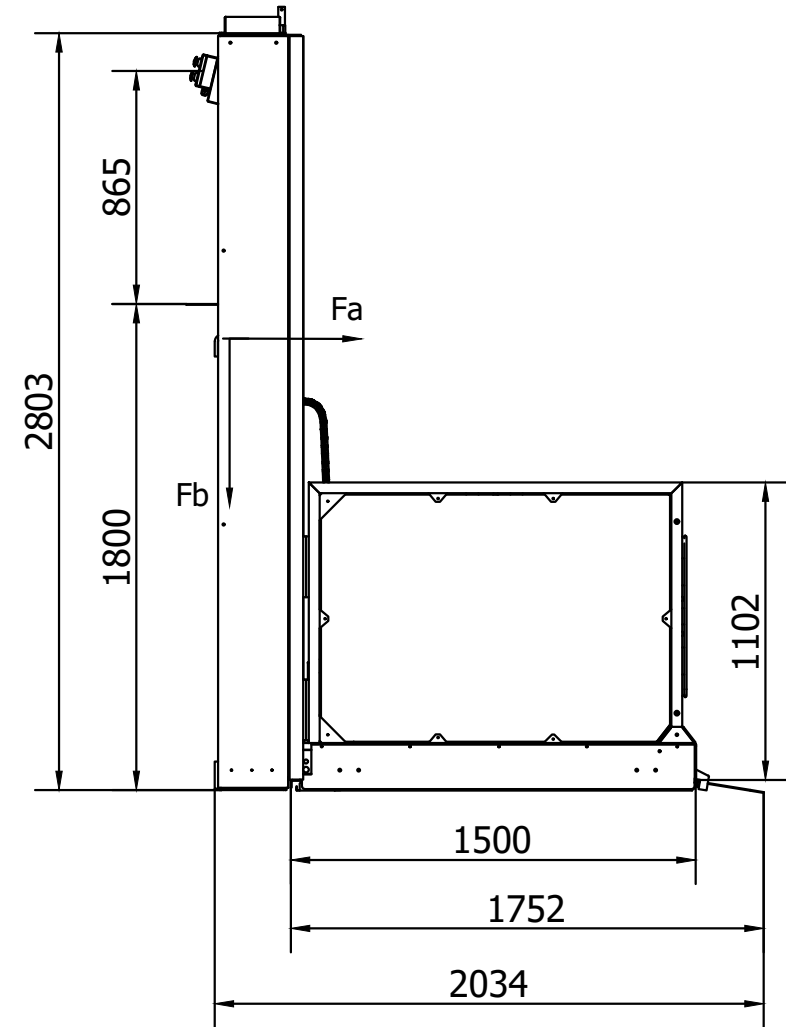
HORIZONTAL FORCES	
Fixing height mm	Total Anchor Force Fa, kN
400	25,8
600	17,2
800	12,9
1000	10,3
1200	8,6
1400	7,4
1600	6,5
1800	5,7
2000	5,2
2200	4,7
2400	4,3
2600	4
2800	3,7

Fb= Vertical force of 10kN spread over area of 1300 x 250mm



Designed by Eva	Checked by	Approved by	Date	Date 2021-09-14	LH= 800-3000
MPR LIFTS AB			Strategos Superior Automatic Doors LR		
General Drawing			Edition 1	Sheet 1 / 1	

( 1 : 28 )



**CLEARANCES**

**"A"**

Horizontal distance between the platform and the wall 145mm if smooth, 355mm if irregular

**Anchors**

Horizontal & Vertical 3 pcs minimum, see installation information for further details of substrate requirements and type (Only use the fixation angles on the upper level)

**Platform floor finish**

Standard - Aluminium chequer plate

**Electrical supply (Main switch)**

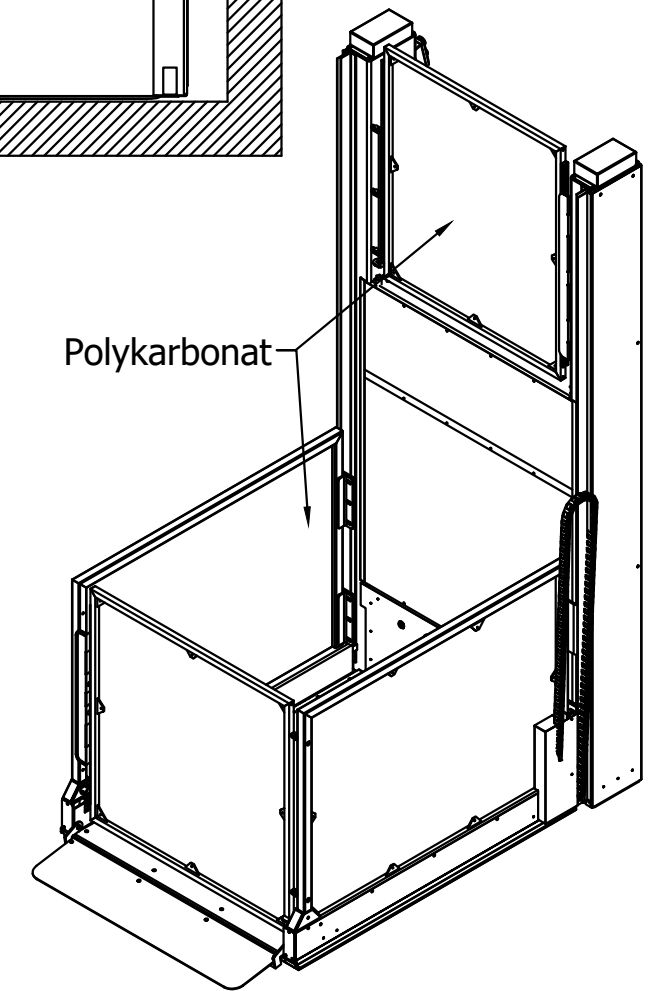
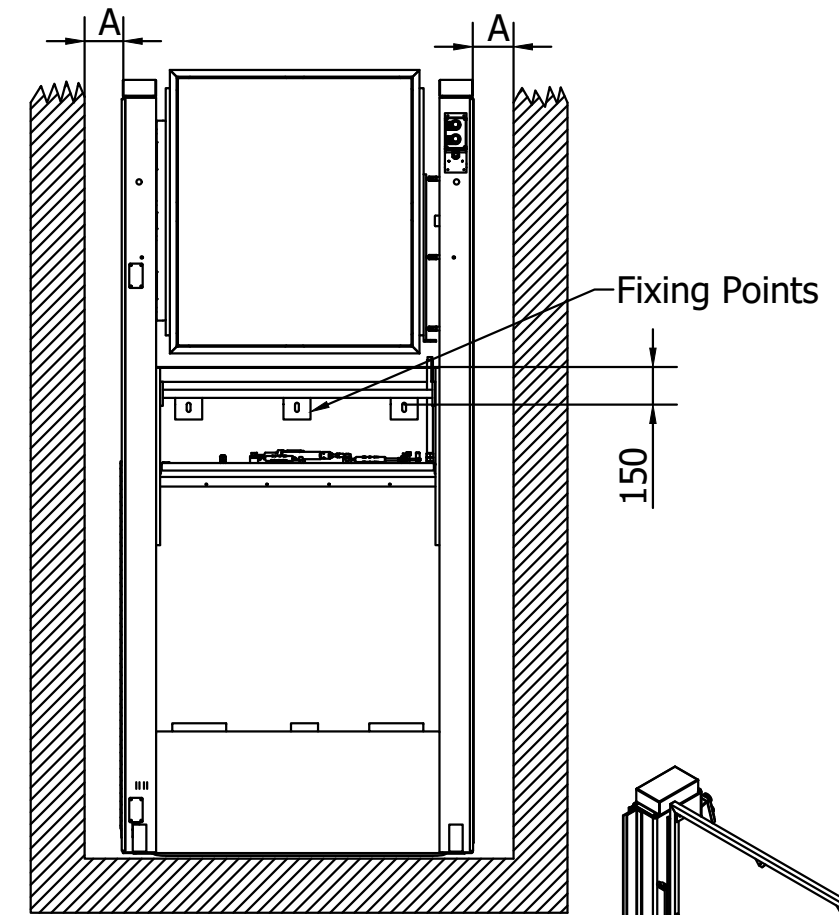
1ph L, N, PE, 3 x 2,5mm<sup>2</sup> 16A

**Technical Data**

Rated capacity: 400kg / 2 person  
 Speed: 0,08m / s  
 Drive: 3,0kW Electrical motor / Belt drive  
 Electrical Connection: Single phase, 3 x 2,5mm<sup>2</sup>  
 Control voltage: 24 Volts  
 Soft start / Stop by frequency inverter  
 Drive system: Screw / Nut

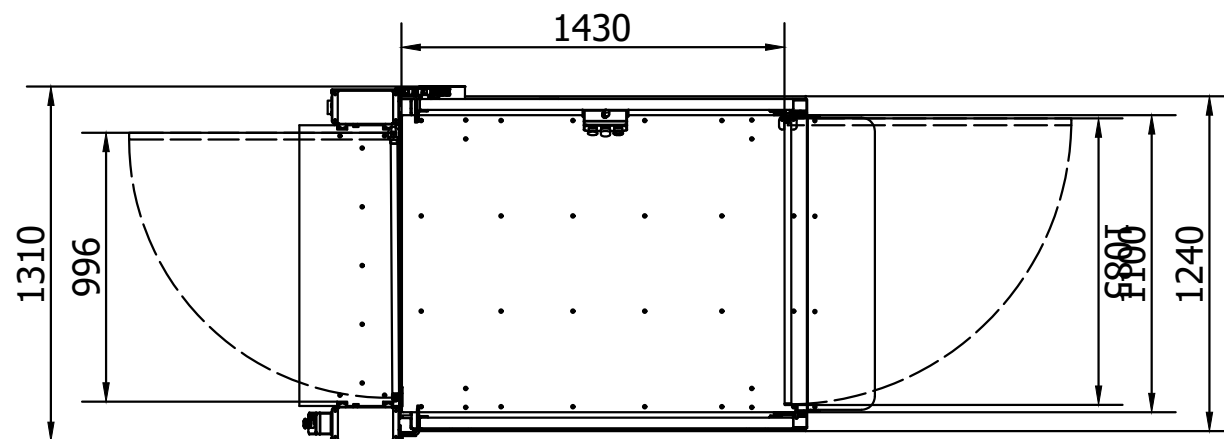
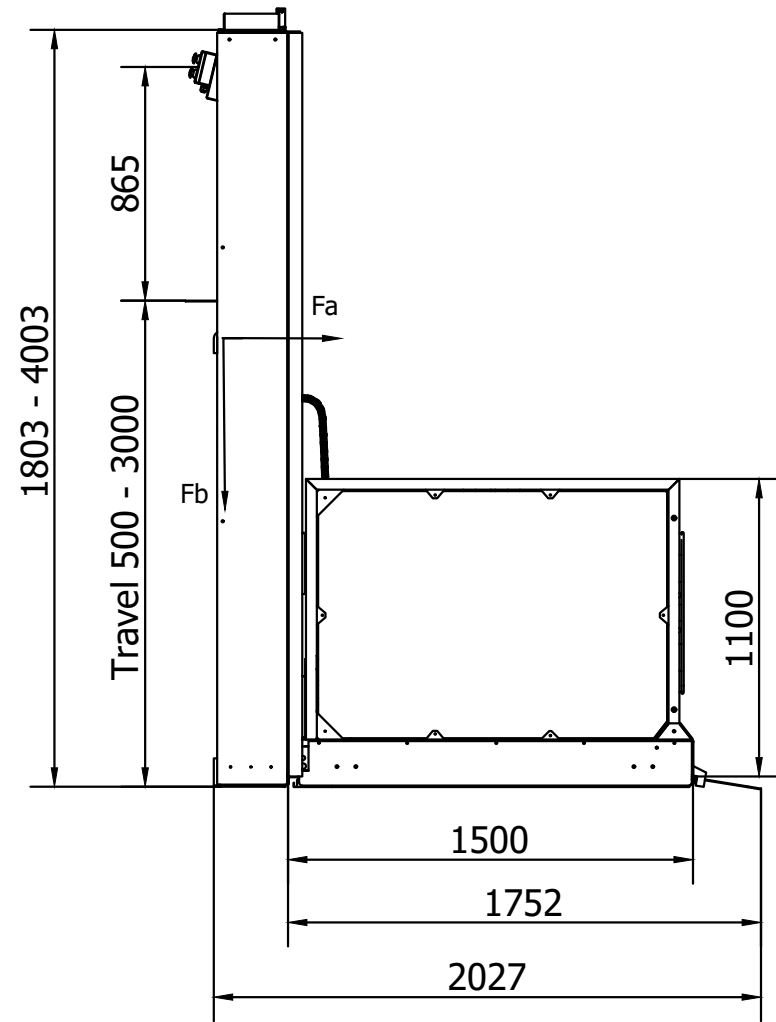
HORIZONTAL FORCES	
Fixing height mm	Total Anchor Force Fa, kN
400	25,8
600	17,2
800	12,9
1000	10,3
1200	8,6
1400	7,4
1600	6,5
1800	5,7
2000	5,2
2200	4,7
2400	4,3
2600	4
2800	3,7

Fb= Vertical force of 10kN spread over area of 1300 x 250mm



Designed by Eva	Checked by	Approved by	Date	Date 2021-09-14	LH= 800-3000
MPR LIFTS AB			Strategos Superior Automatic Doors RL		
			General Drawing	Edition 1	Sheet 1 / 1

( 1 : 28 )



**CLEARANCES**

**"A"**  
Horizontal distance between the platform and the wall 145mm if smooth, 355mm if irregular

**Anchors**  
Horizontal & Vertical 3 pcs minimum, see installation information for further details of substrate requirements and type (Only use the fixation angles on the upper level)

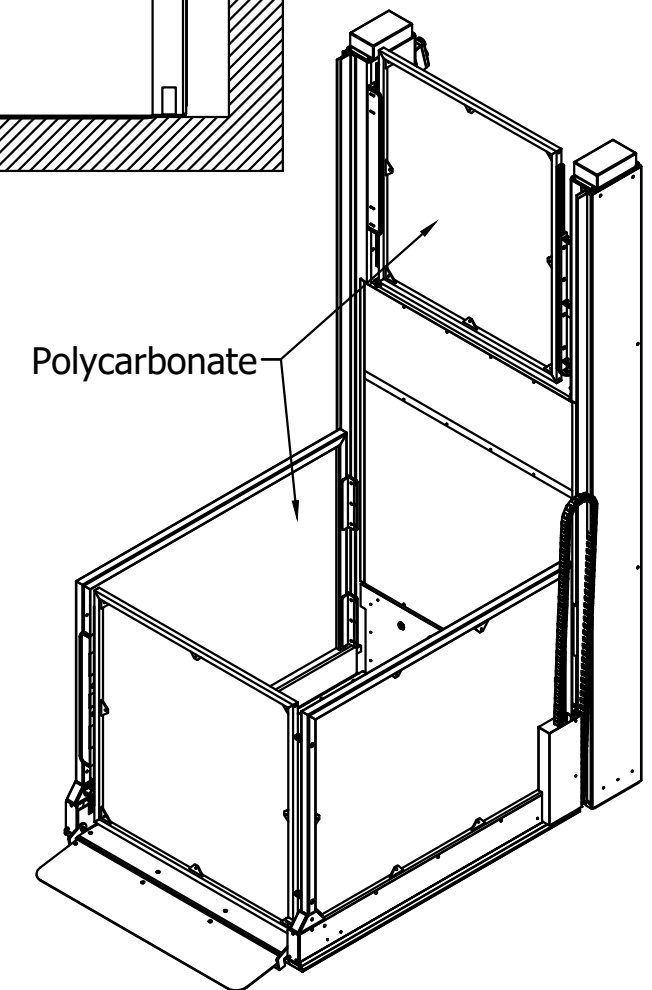
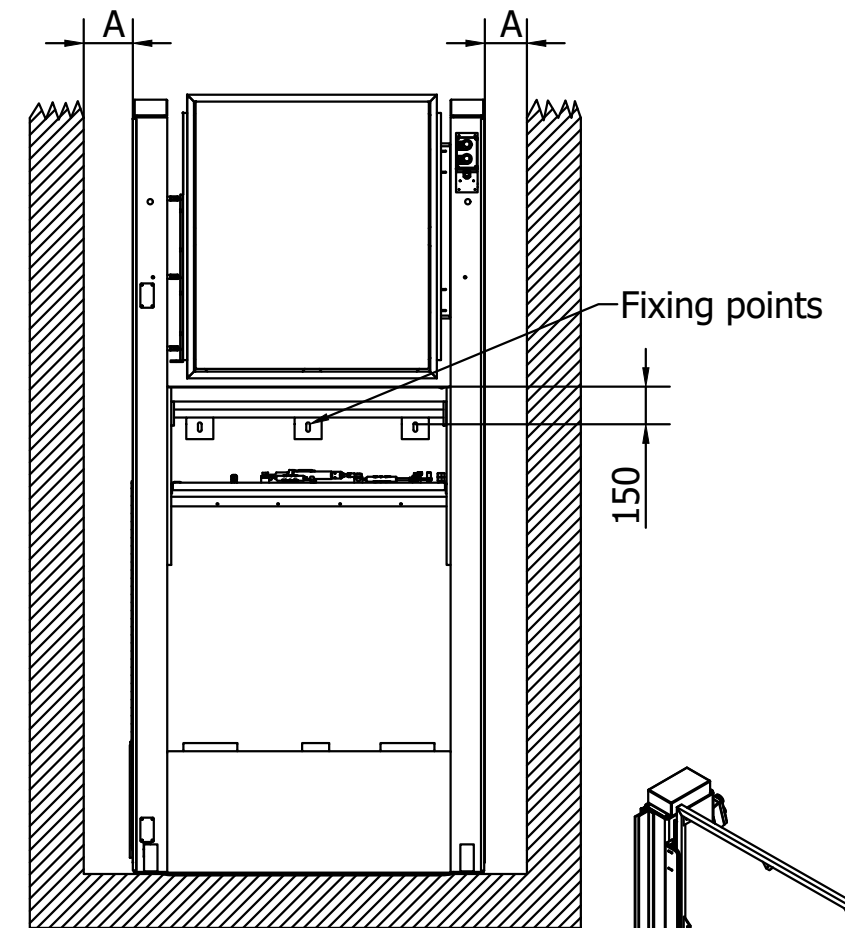
**Platform floor finish**  
Standard - Aluminium chequer plate

**Electrical supply (Main switch)**  
1ph L, N, PE, 3 x 2,5mm<sup>2</sup> 16A

**Technical Data**  
Rated capacity: 400kg / 2 person  
Speed: 0,08m / s  
Drive: 3,0kW Electrical motor / Belt drive  
Electrical Connection: Single phase, 3 x 2,5mm<sup>2</sup>  
Control voltage: 24 Volts  
Soft start / Stop by frequency inverter  
Drive system: Screw / Nut

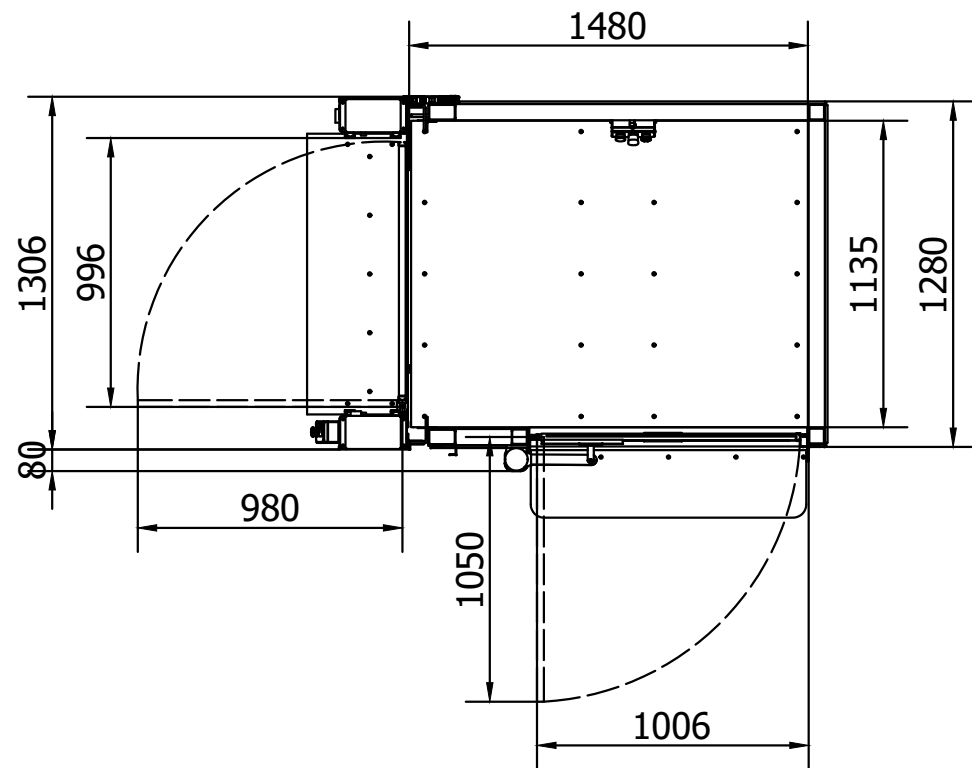
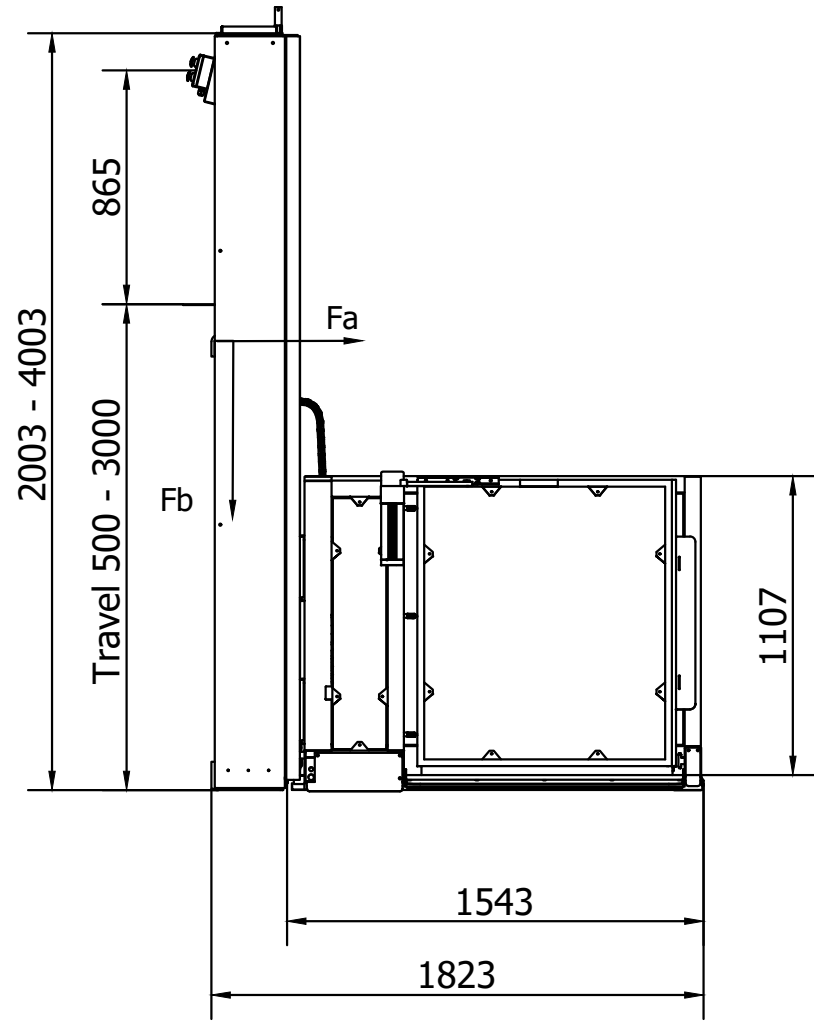
HORIZONTAL FORCES	
Fixing height mm	Total Anchor Force Fa, kN
400	25,8
600	17,2
800	12,9
1000	10,3
1200	8,6
1400	7,4
1600	6,5
1800	5,7
2000	5,2
2200	4,7
2400	4,3
2600	4
2800	3,7

Fb= Vertical force of 10kN spread over area of 1300 x 250mm



Designed by Eva	Checked by	Approved by	Date	Date 2021-09-14	LH= 800-3000
MPR LIFTS AB			Strategos Superior Automatic Door RR		
			General Drawing	Edition 1	Sheet 1 / 1

( 1 : 28 )



**CLEARANCES**

**"A"**  
Horizontal distance between the platform and the wall 145mm if smooth, 355mm if irregular

**Anchors**  
Horizontal & Vertical 3 pcs minimum, see installation information for further details of substrate requirements and type (Only use the fixation angles on the upper level)

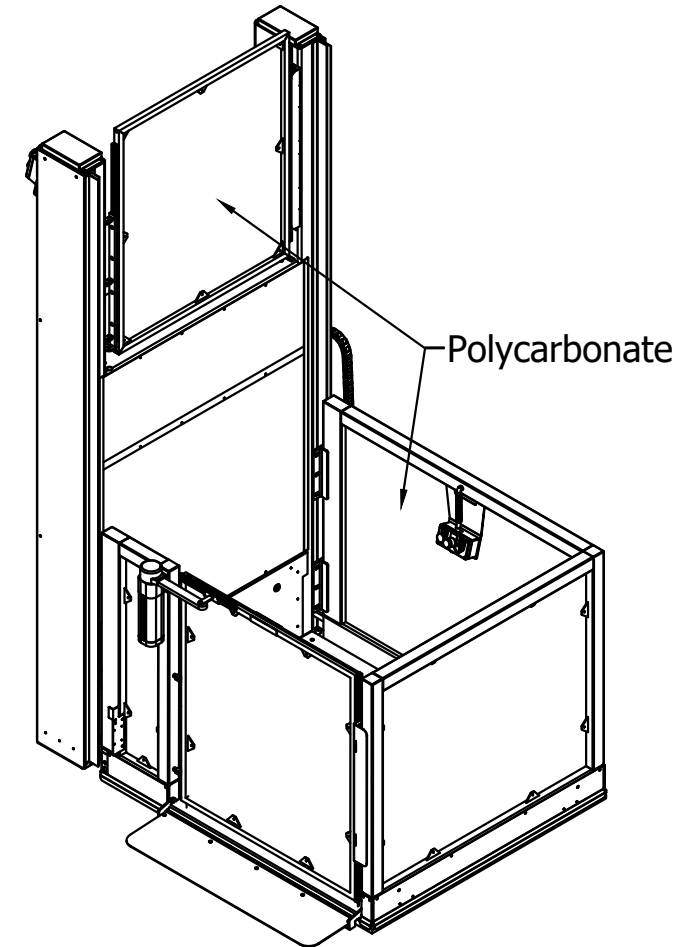
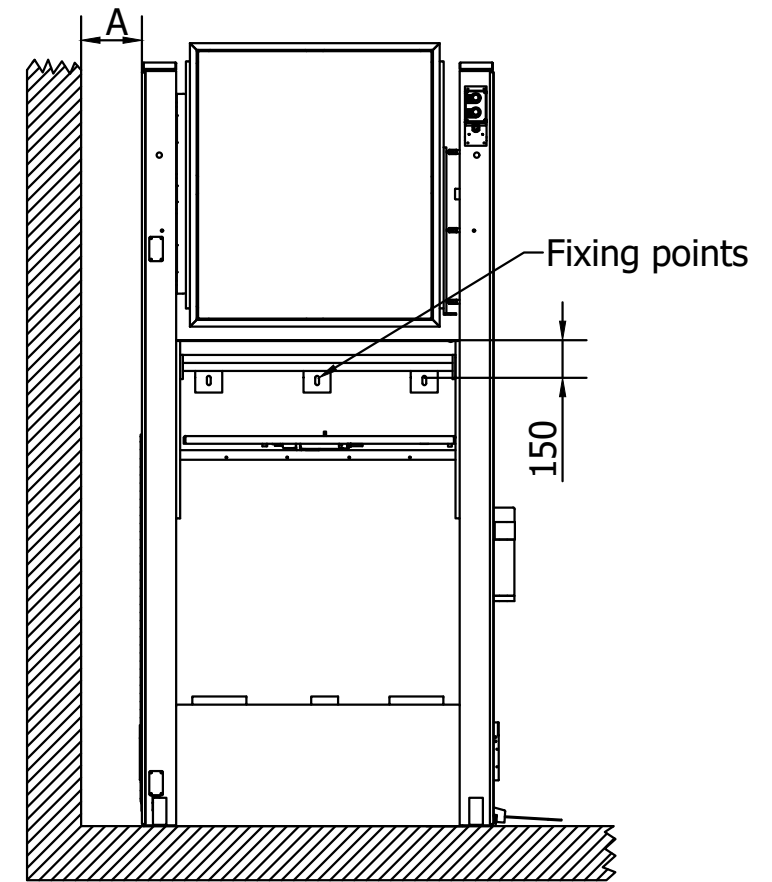
**Platform floor finish**  
Standard - Aluminium chequer plate

**Electrical supply (Main switch)**  
1ph L, N, PE, 3 x 2,5mm<sup>2</sup> 16A

**Technical Data**  
Rated capacity: 400kg / 2 person  
Speed: 0,08m / s  
Drive: 3,0kW Electrical motor / Belt drive  
Electrical Connection: Single phase, 3 x 2,5mm<sup>2</sup>  
Control voltage: 24 Volts  
Soft start / Stop by frequency inverter  
Drive system: Screw / Nut

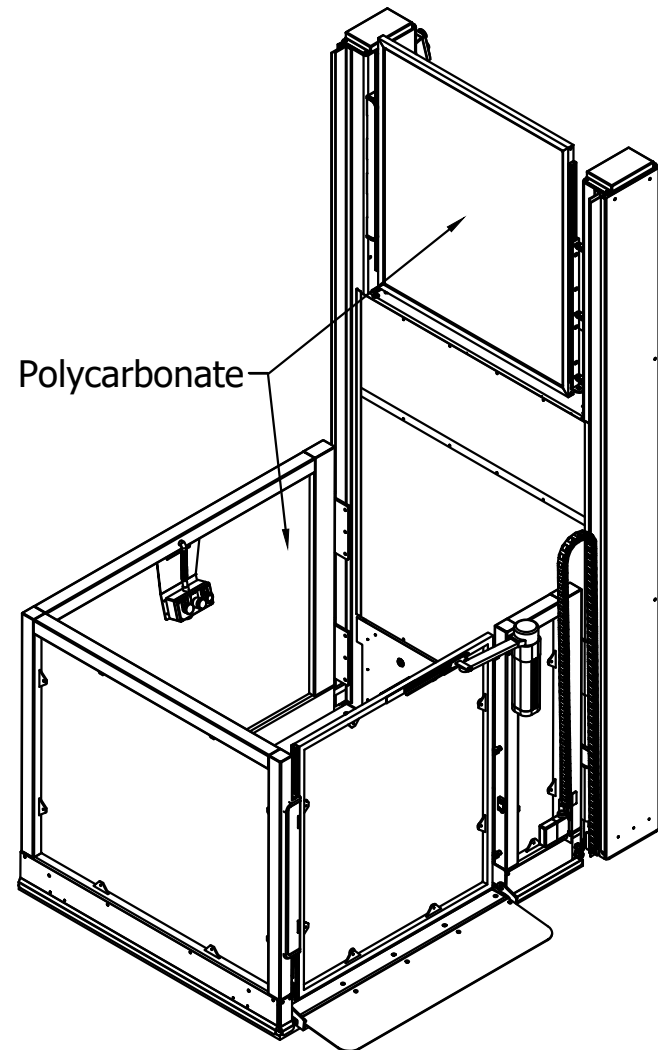
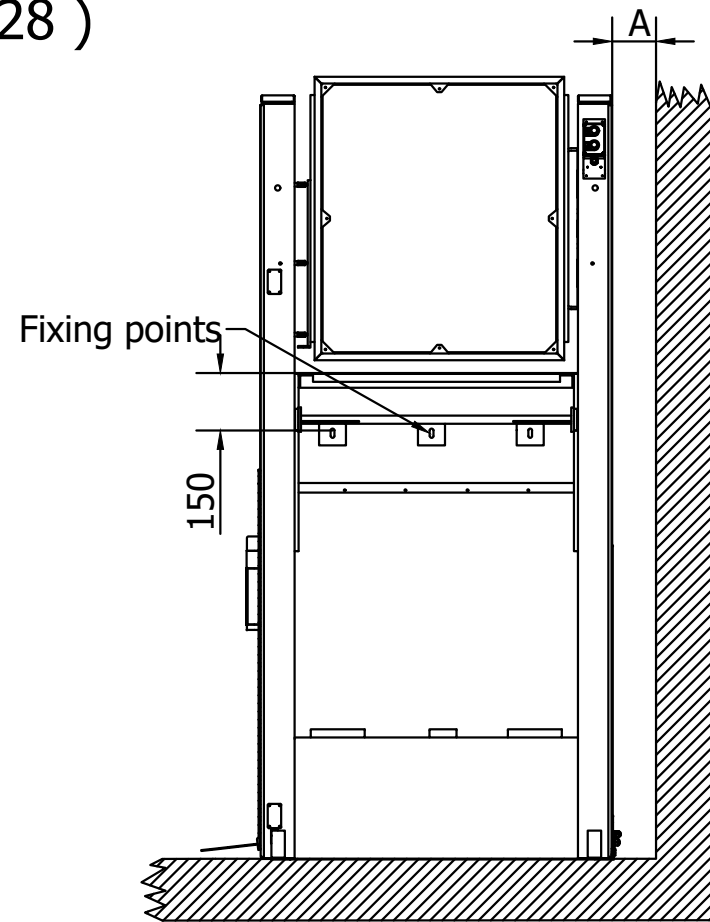
HORIZONTAL FORCES	
Fixing height mm	Total Anchor Force Fa, kN
400	25,8
600	17,2
800	12,9
1000	10,3
1200	8,6
1400	7,4
1600	6,5
1800	5,7
2000	5,2
2200	4,7
2400	4,3
2600	4
2800	3,7

Fb= Vertical force of 10kN spread over area of 1300 x 250mm



Designed by Eva	Checked by	Approved by	Date	Date 2021-09-14	LH= 800-3000
MPR LIFTS AB			Strategos Superior Side Access Left		
			General Drawing	Edition 1	Sheet 1 / 1

( 1 : 28 )



### Förklaringar

#### "A"

Minsta avstånd till regelbunden vägg 145mm, om oregelbunden 355mm.

#### Fastsättning

Horizontal & Vertikal minst 3 bultar, skall användas. Se montage instruktion för information angående underlag.

#### Hisskorg

Golv och ramp är Aluminium (Durkplåt)

#### El-anslutning (Arbetsbrytare)

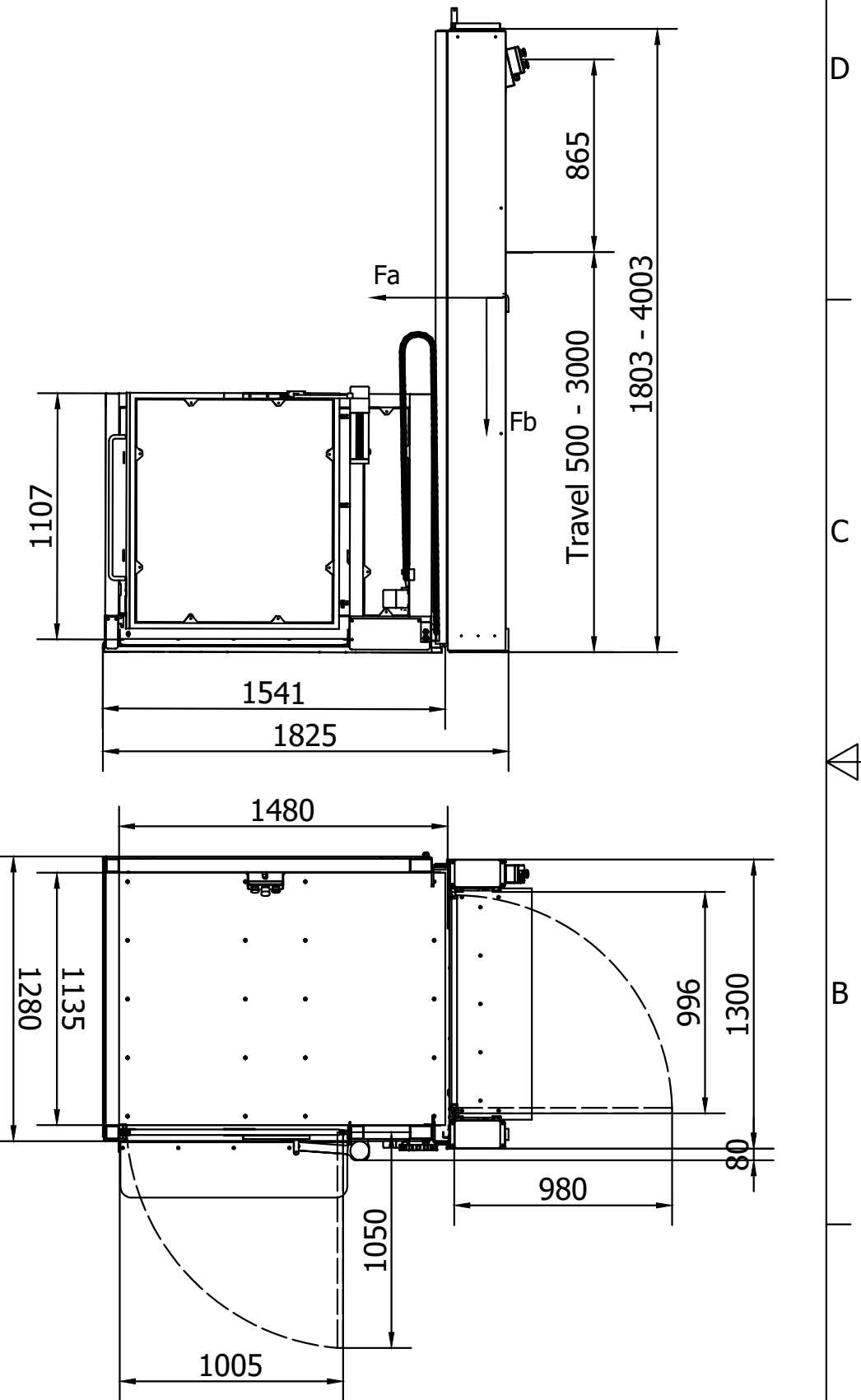
1-Fas L,N,PE 3 x 2,5mm<sup>2</sup> 16A

#### Teknisk data

Lyftkapacitet 400kg / 2 personer  
 Lyfthastighet 0,08m / sek  
 Lyfthöjd 0,5 - 3,0m  
 Drivning 3,0 kw El motor och remdrift, skruv / mutter, dubbel  
 El-anslutning 3 x 2,5mm<sup>2</sup>  
 Manöverspänning 24 Volt  
 Mjukstart / Stop med frekvensomvandlare

Horizontala Krafter	
Infästnings höjd mm	Kraft i förband Fa, kN
400	25,8
600	17,2
800	12,9
1000	10,3
1200	8,6
1400	7,4
1600	6,5
1800	5,7
2000	5,2
2200	4,7
2400	4,3
2600	4
2800	3,7

Fb= Vertikala kraftens utspridnings area, 1300mm x 250mm, Min 10kN



Designed by Eva	Checked by	Approved by	Date	Date 2021-09-14	LH= 800-3000
MPR LIFTS AB			Strategos Superior Side Access Right		
			General Drawing	Edition 1	Sheet 1 / 1